

U.S. PATENT & TRADEMARK OFFICE
MAR 08 2004

First Named Inventor: Gason, Samuel J.
Case No.: 58450US002
Application No.: 10/610949
Title: Sample Processing Device with Unvented Channel

14/27

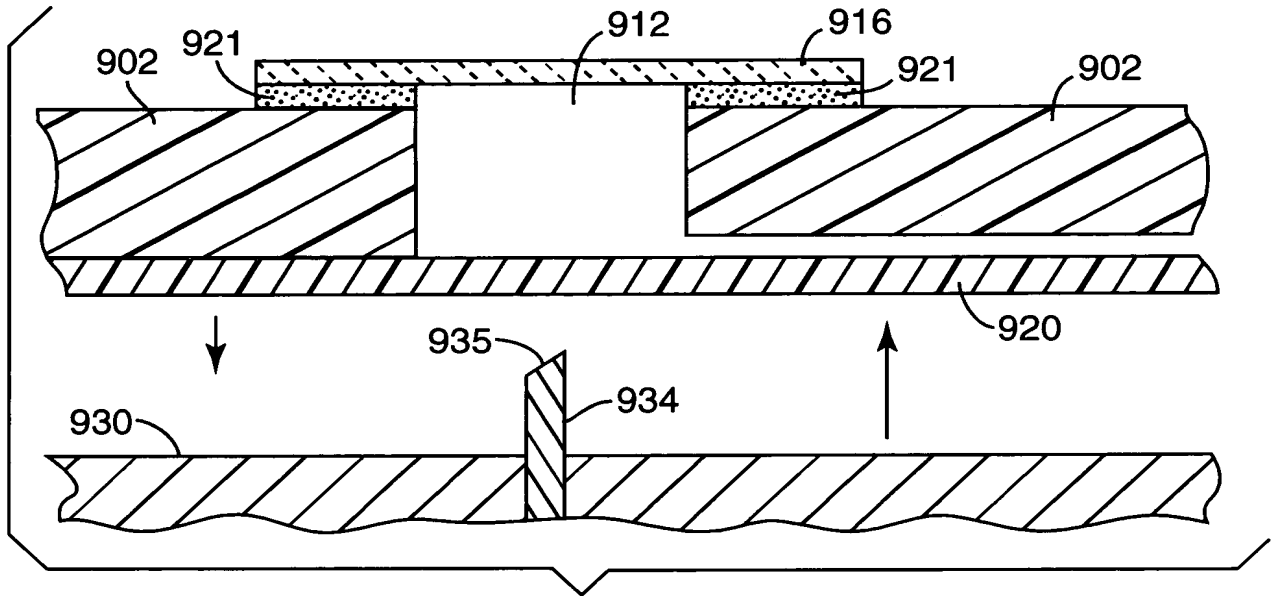


Fig. 14

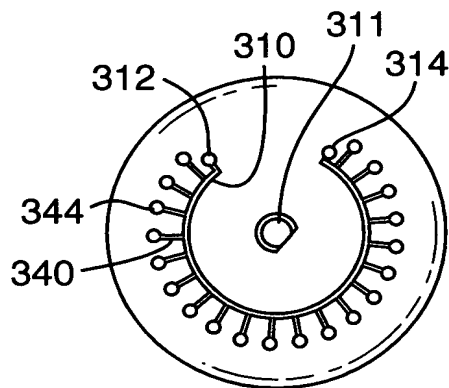


Fig. 15

16/27

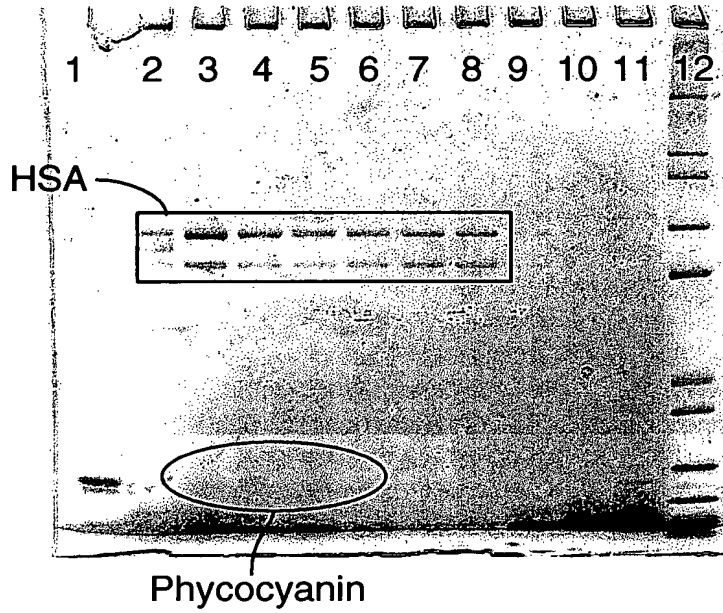


Fig. 17a

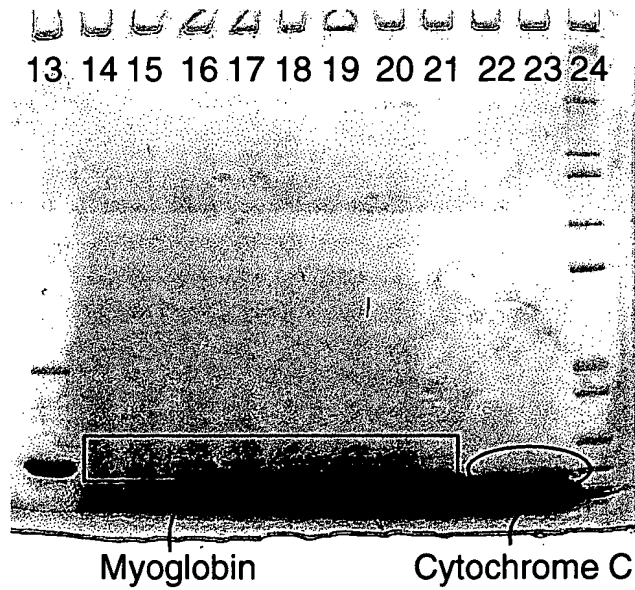


Fig. 17b

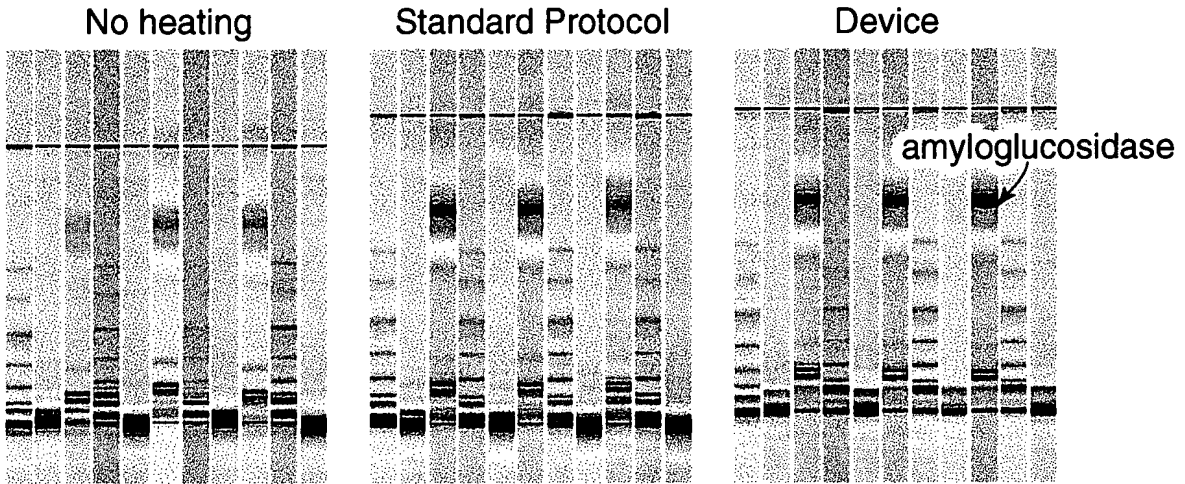


Fig. 19a

Fig. 19b

Fig. 19c

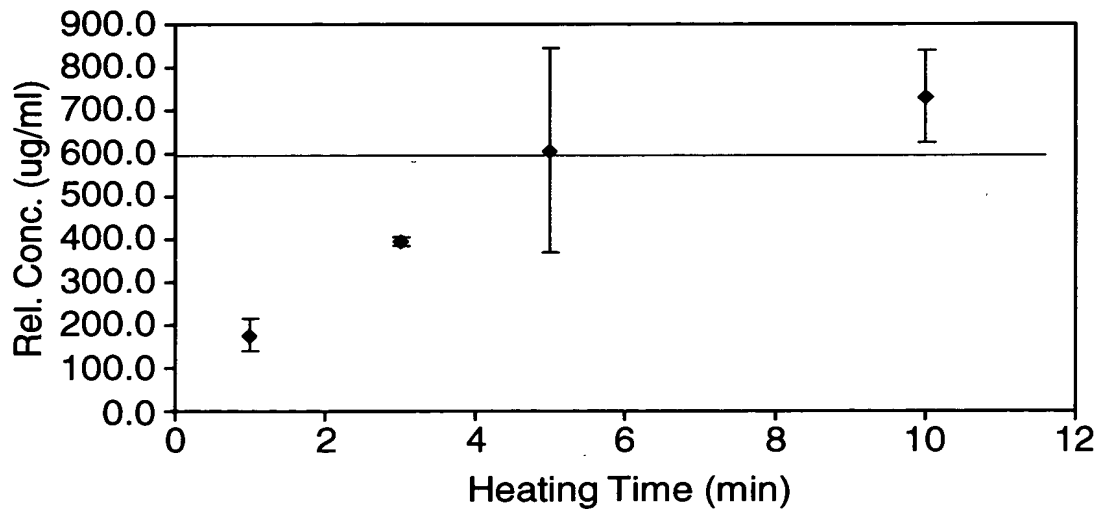
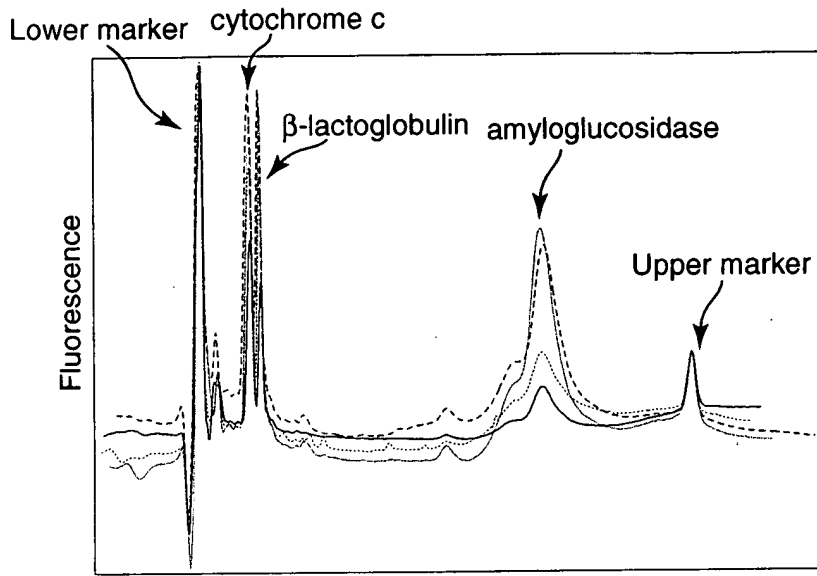


Fig. 20

19/27



Migration Time Time at 95°C
 — 1 min.
 - - - 3 min.
 ···· 5 min.
 --- 10 min.

Fig. 21

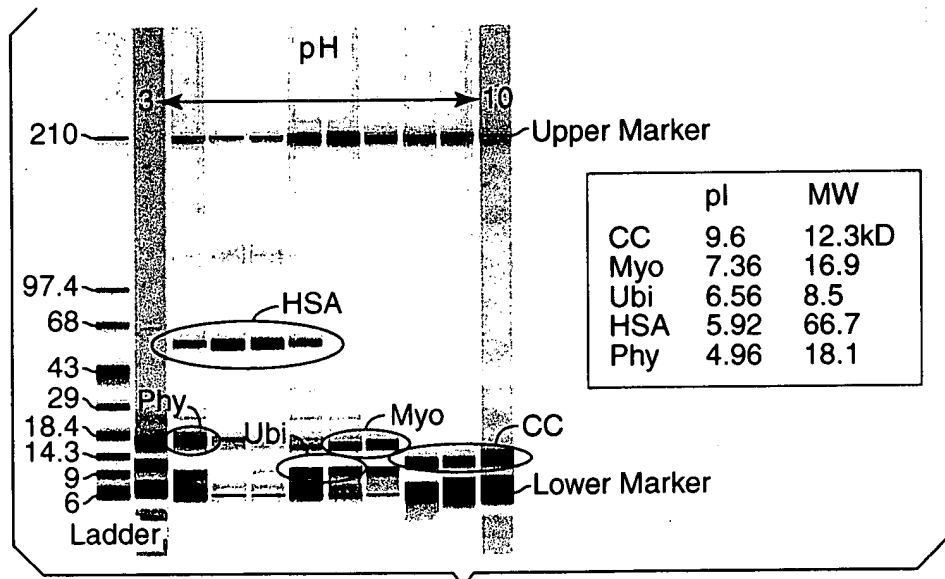


Fig. 22